

SmartSkim J-Tube Skimmers

Setting the industry standard

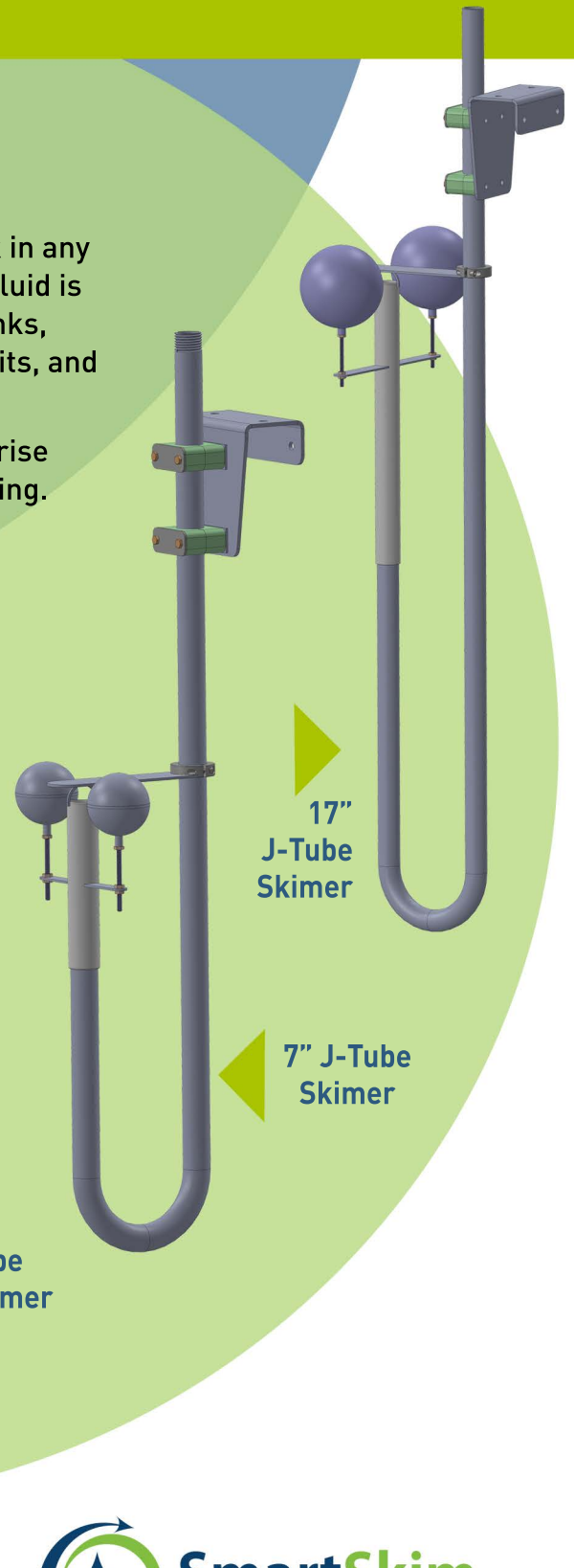
Benefits:

Our Suction Skimmers are designed as a simple, trouble-free solutions for removing free floating and mechanically dispersed tramp oils. The skimmers work in any application where skimming oil off of the top surface of a fluid is required. Applications include but are not limited to wash tanks, individual machine sumps, central coolant systems, machine pits, and wastewater treatment tanks.

Our suction skimmers change position as fluid levels in your tank rise and fall, assuring you of consistent and continuous surface skimming.

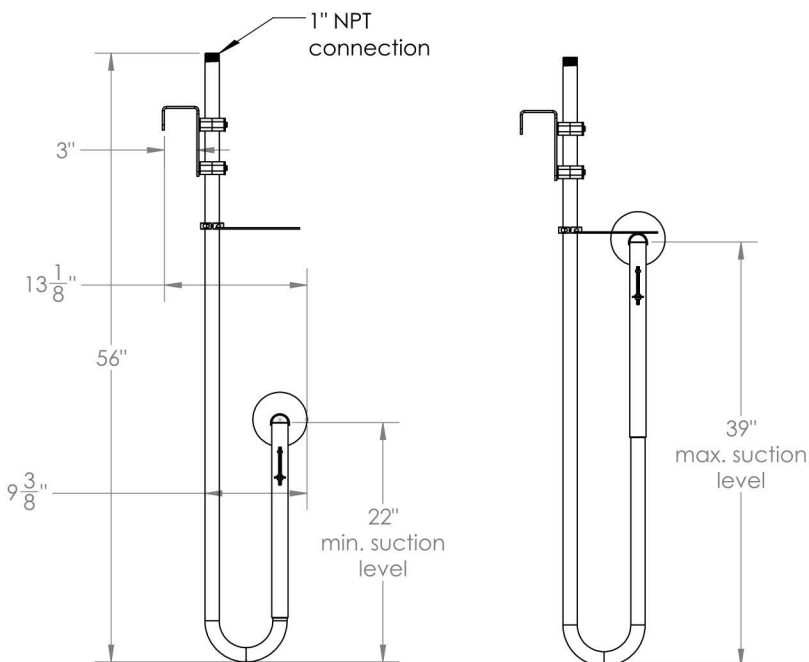
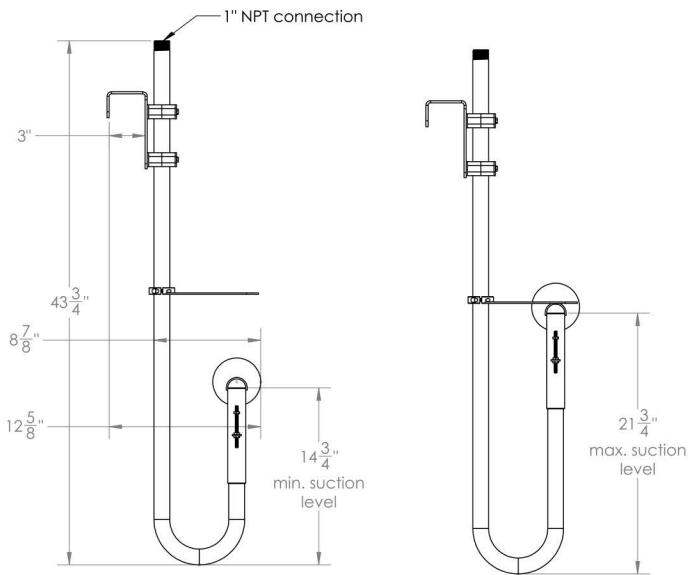
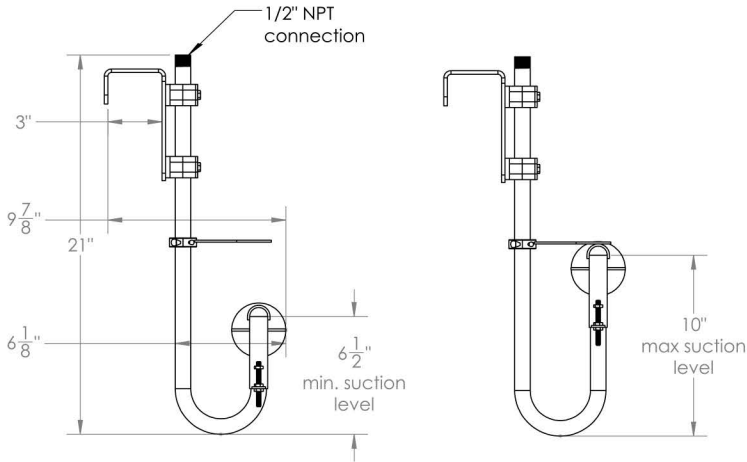
Attributes:

- Durable stainless steel construction.
- J-Tube design requires no hoses that kink, harden or collapse.
- Easily set with minimal adjustments. Virtually no maintenance.
- Robust and industrial grade for a lifetime of use.
- There are no belts, disks or drums to repair.
- There are no ballasts that need filling or adjusting.
- Designed for continuous operation.
- Can be used with virtually any coolant or cleaner.



SmartSkim® Suction Skimmer is the industry standard.

Our multi-patented SmartSkim® Suction Skimmer is mounted in your process tank and continuously removes the topmost oily layer. Skimmed oily fluids are typically pumped through an oil water separator where floating contaminants are separated.



Simply connect the SmartSkim® Suction Skimmer to the suction side of a transfer pump and you're skimming. We recommend low shear pumps for this service such as air operated diaphragm (AOD) pumps or progressive cavity pumps. Connection kits are available to aid in the installation of skimmers to pumps.

Our universal mounting bracket is designed to easily mount the skimmer to the top edge or to the inside wall of your tank.

A stopper is included to keep the floating sleeve attached during high fluid level conditions.



www.smartskim.com