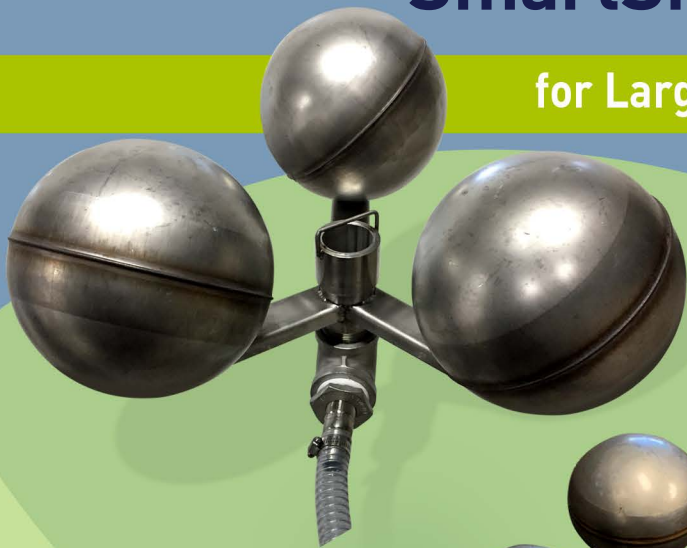


SmartSkim Tri-Float Skimmers

for Larger Industrial Fluid Control Applications



Mega Tri-Float Skimmer



Mini Tri-Float Skimmer

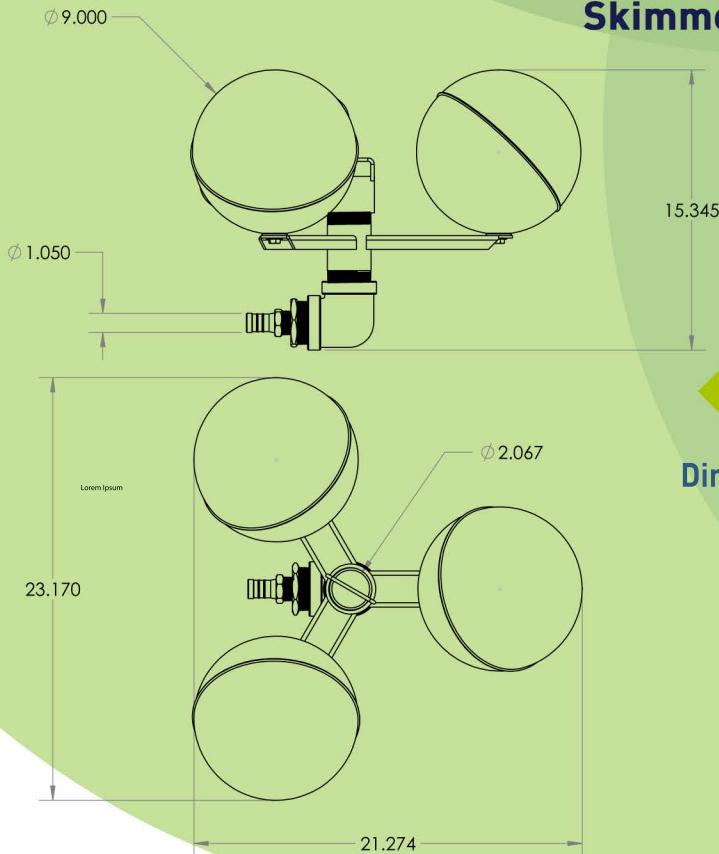
Applications:

- Manufacturing facilities
 - Oily waste sumps & pits
 - Central coolant tanks
 - Large washing tanks
- Waste water treatment & sewage plants
 - Storage tanks
 - Equalization tanks
- Petrochemical processing storage tanks
- Airports & railway depots
- Sheltered harbors & docks, ponds, lakes

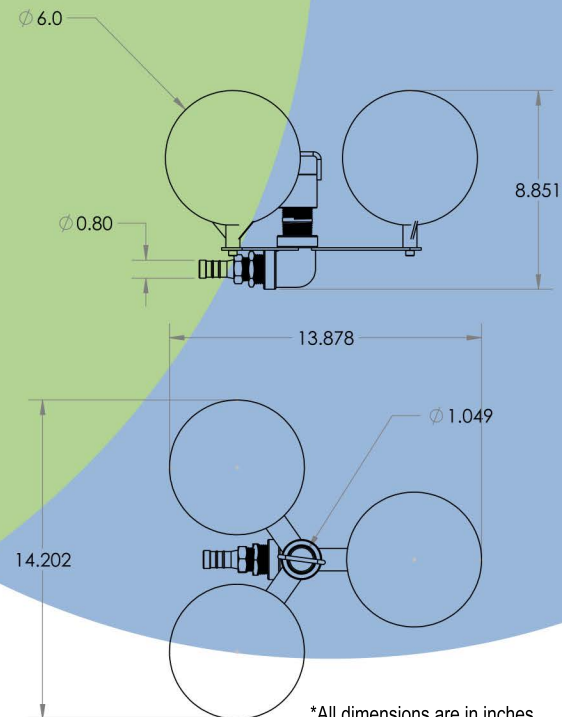
Attributes:

- 304SS Tri-Float design has an adjustable inlet weir for fine or deep skimming
- Designed for ease of lifting to perform adjustments or maintenance
- Wide range of fluid levels can be skimmed

Model	Inlet	Outlet	Hose Length	Float Sizes	Construction
Mini	1"	3/4"	10'	6"	304SS
Mega	2"	1"	20'	9"	304SS



Mega Dimensions



Mini Dimensions

*All dimensions are in inches



SmartSkim
Contaminant control for industrial fluids

Universal Separators, Inc.
608-442-7546 support@smartskim.com

www.smartskim.com